



My best choice

SMARTOPTIC MICROSCOPES

POKA
Your 1st Option

DISTRIBUIT IN ROMANIA PRIN TEHNODENT POKA
TIMISOARA - ROMANIA Str. Crişul, Nr. 2,
Tel: + 40.256.246.114 Mobil: +40.755.082.077
www.poka.ro | comenzi@poka-dent.ro

SELIGA
MICROSCOPES



SmartOPTIC

THE **HIGH-END MICROSCOPE** AT THE PRICE OF THE MIDDLE ONE



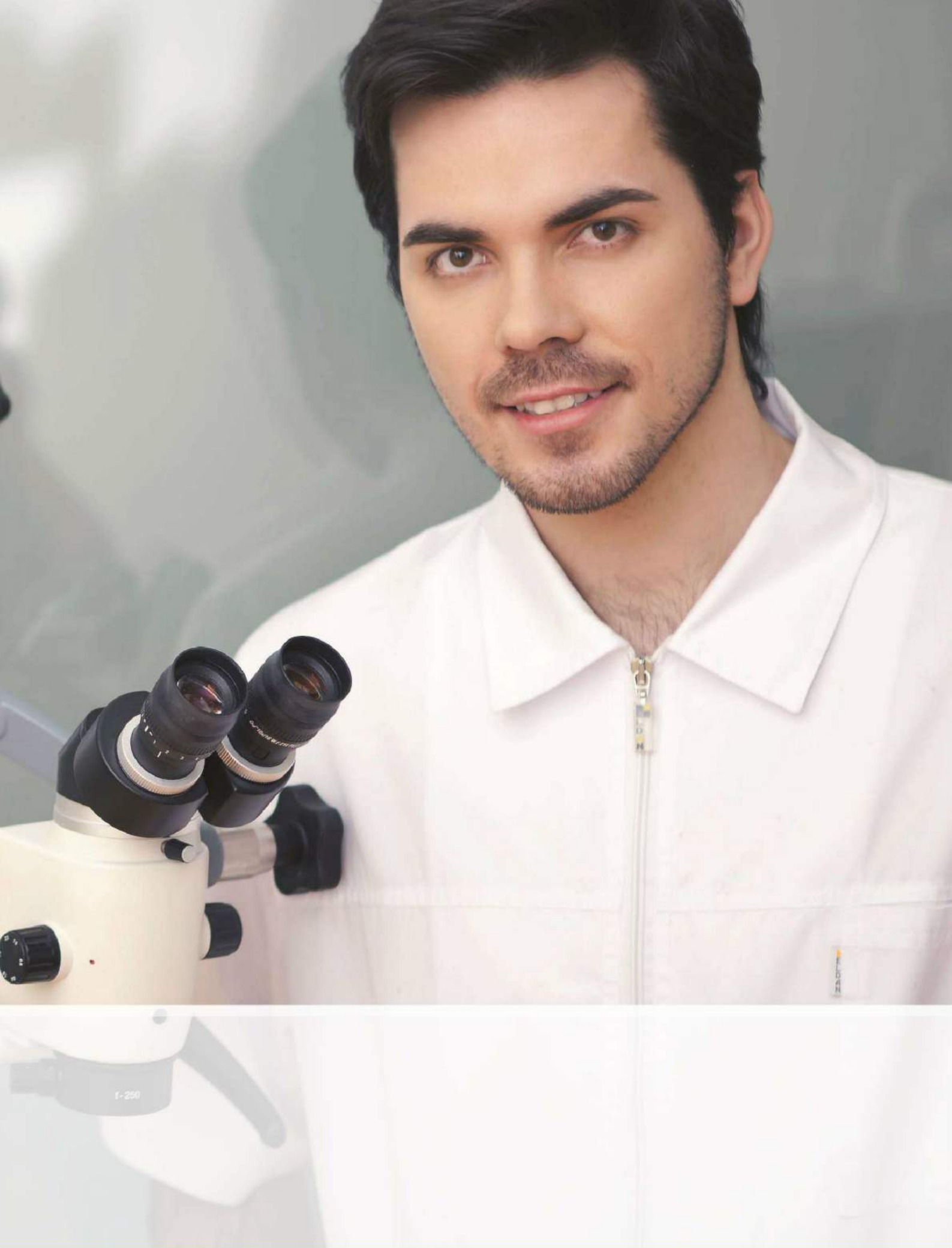
Just few minutes with SmartOPTIC **will inspire you with confidence!**

We are proud to introduce a SmartOPTIC medical microscope dedicated for demanding users.

Solutions applied in this microscope provide easy mobility and great comfort of work.

With superior optical quality, SmartOPTIC offers high optical resolution, accuracy and focal range - all that makes SmartOPTIC an indispensable tool in modern medical practice.

SmartOPTIC - choice of demanding professionals



WHEN HIGH EXPERTISE AND ACCURACY COUNT...



Weight Balance System

Well balanced arm provides smooth movement and precise positioning. Wide adjustment range allows for good balance also after auxiliary equipment installation.

LED Light Source

If you respect economy and very bright light with a colour temperature of 6000 Kelvins, near sunlight colour, then this Light Source is for you.

The 80 Watt diode is rated at 50000 hours.

Xenon Light Source

Xenon Light Source will suit the needs of professionals demanding the highest intensity of light.

It provides a very bright (105 kLux) and white light with a colour temperature of 6000 Kelvin, near sunlight in colour. It enables work in a natural light environment. The 180 Watt bulb is rated at 500 hours.

Its intensity is controlled by a shutter that preserves colour temperature at all brightness levels.

Halogen Light Source

Halogen Light Source has two independent channels 150 Watt each. Light with a colour temperature of 5400 Kelvins is an irreplaceable illumination for most of clinical cases.

Reliable support system

Heavy but mobile base with rubberized wheels for firm yet easy movement with breaks for fixing position.

See other mounting options on page 10.

Inclinable binocular

The binocular inclination angle 195° allows an easy adjustment to the most suitable working position. **Crucial ergonomy enhancement.**

Eye cups

They allow diopter adjustment but are also suitable for doctors working with glasses.

Microscope body

All the optical parts: binocular, magnification changer and lens are located on the microscope body.

Magnificaton switch

Handy knobs located on both sides of the microscope body gives you the ability to select one of five magnification factors.

See magnification table on page 11.

Fine focus

Final precise sharpness regulation

Handles

The handles on both sides of the microscope body allow to adjust the microscope to a convenient working position. Angle of each of the handles can be adjusted easily by pressing the axially located button.

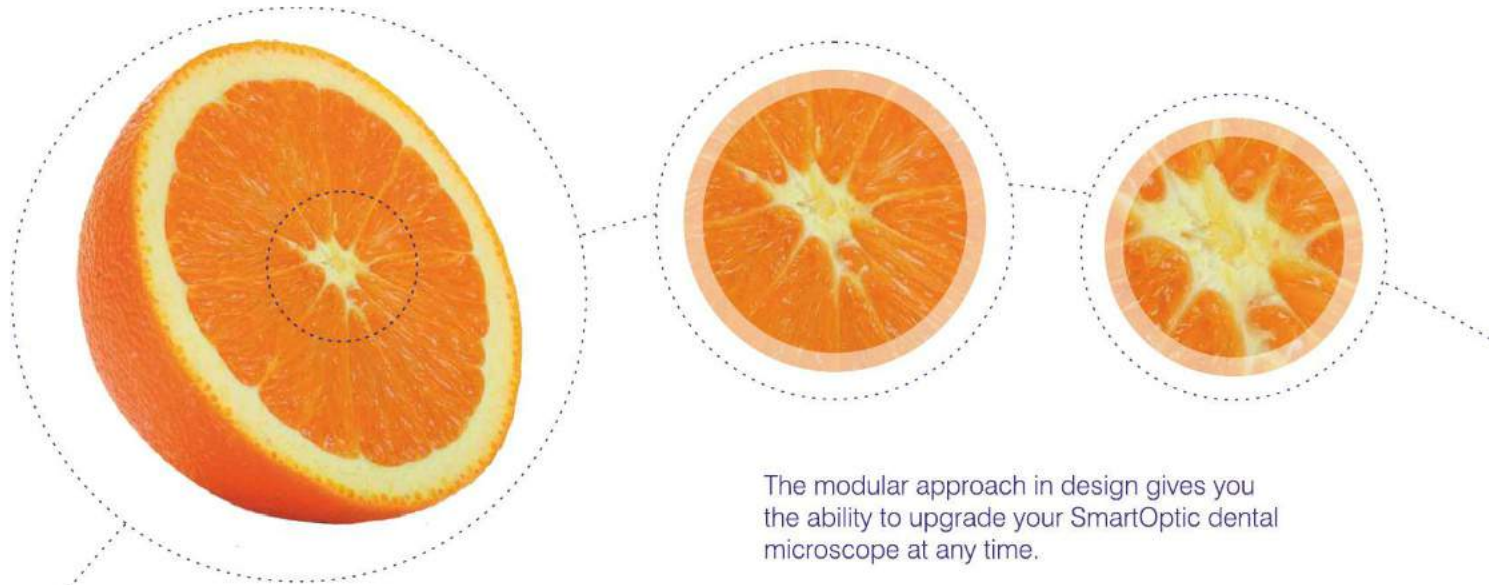
Objective Lens

Standard focal length of the objective lens is 250 mm.

It gives the most convenient working distance in most cases and preserves fine focus depth.

However, you can choose another objective lens: 200, 300 or 400 mm.

THE MORE YOU CAN SEE, THE MORE YOU CAN DO



The modular approach in design gives you the ability to upgrade your SmartOptic dental microscope at any time.

We understand how important it is to have the possibility for adjusting the microscope to your current and future needs. With the SmartOPTIC modular philosophy it is possible whenever you need it.

You can attach the additional equipment to the microscope with incredible ease. No extra skills are necessary to enhance your SmartOPTIC microscope.



Monitor mount

Monitor stand with adjustable ball-joint can make your treatment visible for your assistant or patient. Result? Patient education and improved team work with your staff.

Dedicated PROCAM digital camera

Ultra compact design with dedicated beam splitter. Auto white balance. View frame delimitation. Image capture button.



Vision track with digital camera

Basic video recording and high - resolution still images for documentation, archive and educational purposes.

Customized adaptors for SLRs and most of compact cameras available on request.



Sony NEX 5

Digital camera recommended for SmartOPTIC microscopes.

Light-weighted, powerful camera with HD recording, 14MP sensor, Live View output and resonable price.



Vision track with camcorder

High resolution preview and recording with your personal video camera recorder e.g. SONY Handycam.



Capturing system for images, video and sound, specially designed for use in the dentist's practice.

Small, portable box that can be used with a laptop or desktop computer.



Combination of vision track equipment

Two socketed beam splitter can be armed with any combination of the above devices that can work together at the same time.

SMART ACCESSORIES

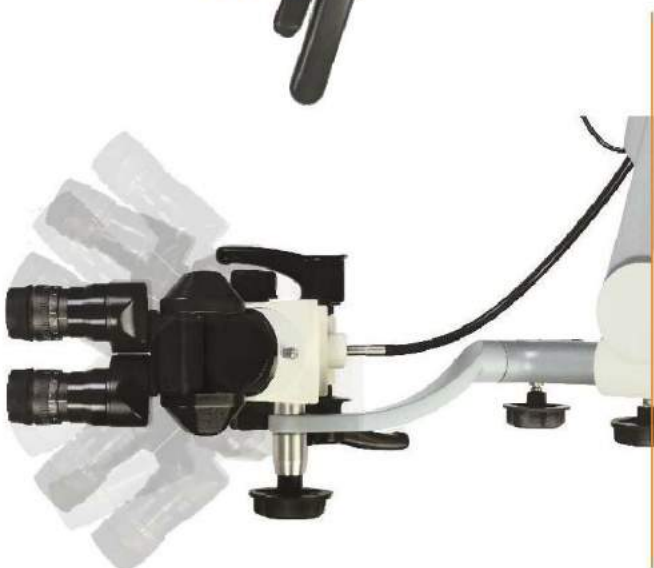
VARIETY OF ENHANCEMENTS



Binocular Extender

Applied together with an inclinable binocular allows to maintain a comfortable upright position, reducing muscle strain.

Crucial ergonomics enhancement.



Binocular Rotation Ring

Provides additional comfort. Even when the head of the microscope is angled the ring gives you the possibility to maintain your upright position.



Lens cap

Protecting the objective lens especially while grinding.



Filters

Green- filter to work with patients' blood.

Orange - filter prevents the premature curing of the composite materials.

Laser filter for safe work with laser devices.

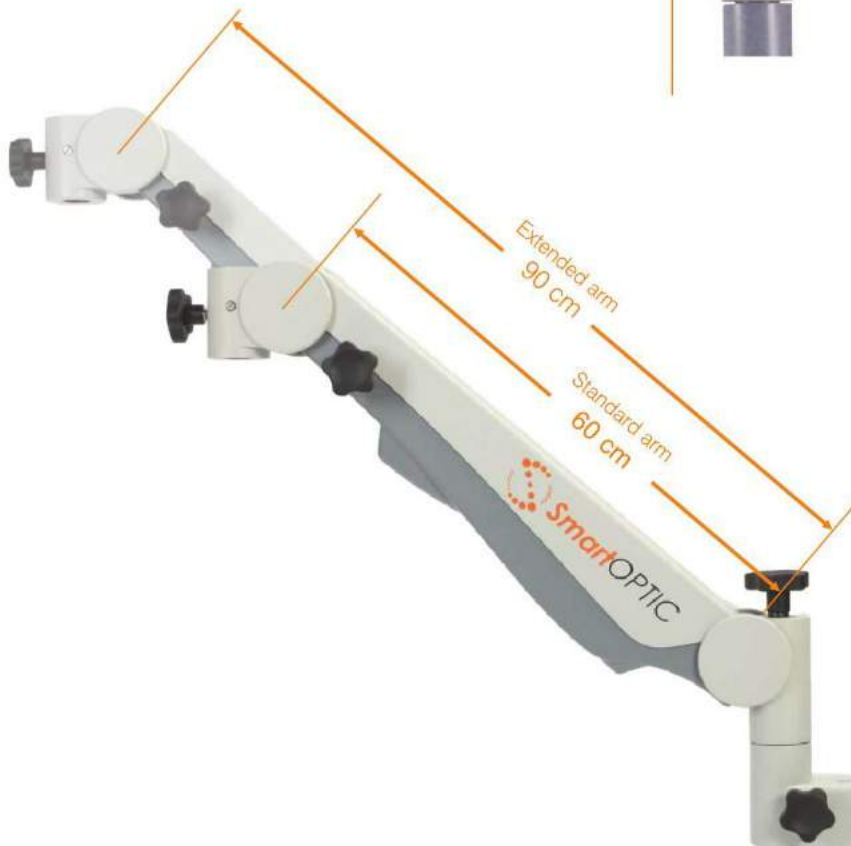
Polarizing filter - easy identification of tissue changes.



Arm extension

Provides an additional reach of 28 cm.

Increases the microscope's flexibility and maneuverability in tight spaces.



Extended Arm

Standard arm length – 60 cm
Extended arm length – 90 cm

Using longer arm enables you to locate your microscope in a more convenient place that increases room to manoeuvre and makes space arrangement easier.

Autoclavable handle covers

Preventing the infections, making your work safer for you and your patients. Covers meet high hygienic standards.



Lenses

You can chose among variety of lenses depending on your work specification: f-200, f-250, f-300, f-400

COMPACT & MODERN DESIGN MOUNTING OPTIONS FOR EVERY SURGERY

Ceiling mount

Ideal positioning for quick access. Mount for ceiling height above 200 cm.



Wall mount

Mount for wall heights from 90 to 200 cm.



Mobile floor stand

Construction on wheels allows the movement between sites.



Table mount

For trainings but also can be useful if the stable and solid work surface is located near the operation unit.

MAGNIFICATION TABLE

Note: The values presented in the above table are based on basic microscope configuration. They may vary from customised configuration with additional optical components.

Objective Lens		200				250				300				400			
eyepiece	position of button	magnification		field		magnification		field		magnification		field		magnification		field	
		f135	f170	f135	f170	f135	f170	f135	f170	f135	f170	f135	f170	f135	f170	f135	f170
10x/16mm	1 (0.4x)	2,70	3,40	59,26	47,06	2,16	2,72	74,07	58,82	1,80	2,27	88,89	70,48	1,35	1,70	118,52	94,12
	2 (0.6x)	4,05	5,10	39,51	31,37	3,24	4,08	49,38	39,22	2,70	3,40	59,26	47,06	2,02	2,55	79,21	62,75
	3 (1x)	6,75	8,50	23,70	18,82	5,40	6,80	29,63	23,53	4,50	5,66	35,56	28,27	3,37	4,25	47,48	37,65
	4 (1.6x)	10,80	13,60	14,81	11,76	8,64	10,88	18,52	14,71	7,20	9,06	22,22	17,66	5,40	6,80	29,63	23,53
	5 (2.5x)	16,88	21,25	9,48	7,53	13,50	17,00	11,85	9,41	11,25	14,17	14,22	11,29	8,42	10,63	19,01	15,06
12.5x/16mm	1 (0.4x)	3,37	4,25	59,35	47,06	2,70	3,40	74,07	58,82	2,25	2,83	88,89	70,67	1,69	2,13	118,34	93,90
	2 (0.6x)	5,06	6,38	39,53	31,35	4,05	5,10	49,38	39,22	3,38	4,25	59,17	47,06	2,53	3,20	79,05	62,50
	3 (1x)	8,44	10,63	23,70	18,81	6,75	8,50	29,63	23,53	5,63	7,08	35,52	28,25	4,20	5,30	47,62	37,74
	4 (1.6x)	13,50	17,00	14,81	11,76	10,80	13,60	18,52	14,71	9,00	11,32	22,22	17,67	6,74	8,50	29,67	23,53
	5 (2.5x)	21,08	26,58	9,49	7,52	16,88	21,25	11,85	9,41	14,08	17,71	14,20	11,29	10,54	13,33	18,97	15,00



SYSTEM COMPONENTS

Binoculars:

- fixed angle 45° ▪ fixed angle 90° ▪ adjustable angle 0-195°
- all with diopter adjustment

Objective lenses:

- working distance 200 mm ▪ 250 mm ▪ 300mm ▪ 400mm

Illumination:

- halogen light source 3000K 37klux ▪ LED light source 6000K 50klux
- xenon light source 6000K 105 klux ▪ high performance fiber optic cable

Filters:

- green ▪ orange ▪ laser filter ▪ polarizing filter

Mounting options:

- mobile floor stand ▪ wall mount ▪ ceiling mount ▪ table mount

Microscope arm:

- standard 60 cm ▪ extended 90 cm ▪ 28 cm additional arm extension

Vision track:

- dedicated digital camera with beamsplitter ▪ beamsplitter
- 2-channel beamsplitter ▪ Carr binocular extender with 2-channel beamsplitter
- DSLR camera adaptor ▪ camcorder adaptor ▪ Sony NEX camera adaptor
- CCD camera adaptor ▪ monitor stand

System enhancements:

- Carr binocular extender ▪ binocular rotation ring ▪ monitor stand
- printer shelf ▪ autoclavable handle covers ▪ lens cap

BASE CONFIGURATION

Binocular: with fixed angle 45° (wide angle, diopter adjustment)

Lens: working distance 250 mm

Light-source: halogen or LED; high performance fiber optic cable

Filter: green or orange

Version: mobile floor stand

Arm length: standard 60 cm

We are always ready to **meet our clients expectations** by learning their needs and presenting the opportunities that SmartOPTIC has to offer. Our consultants will help you to **choose the best option** so you could perform your work as you have always desired.



BASIC AND ADVANCED TRAININGS OF WORKING WITH A MICROSCOPE

www.smart-optic.com

POKA
Your **1st** Option

DISTRIBUIT IN ROMANIA PRIN TEHNODENT POKA
TIMISOARA - ROMANIA Str. Crișul, Nr. 2,
Tel: + 40.256.246.114 Mobil: +40.755.082.077
www.poka.ro | comenzi@poka-dent.ro



SELIGA
MICROSCOPES

